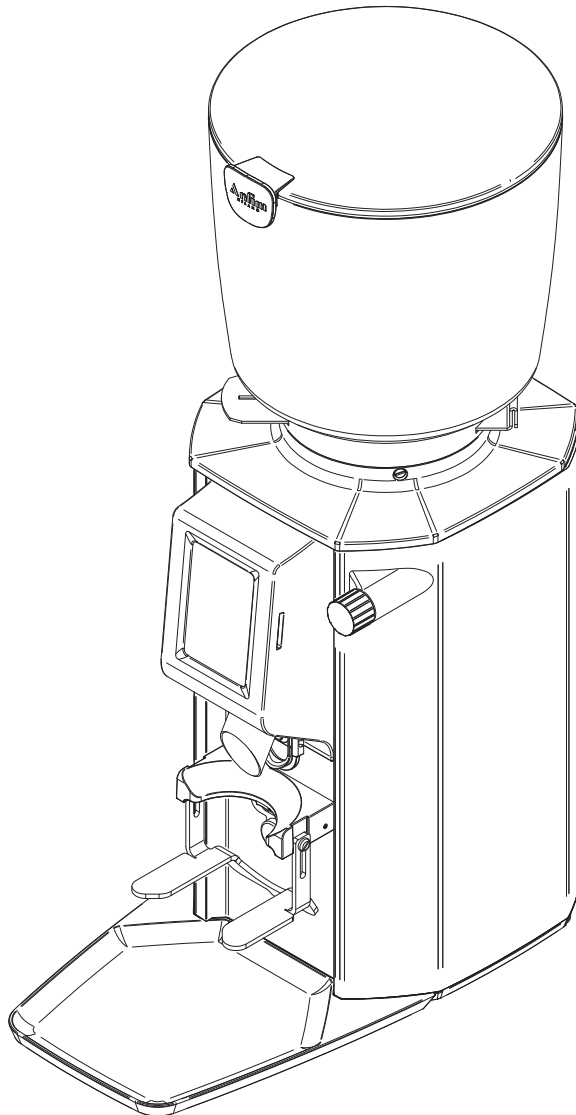


LUNA



INFORMATION



Please indicate the article- and serial number of your grinder when ordering.

WARNING:

This spare parts list is meant to support qualified technicians and trained staff, only. Only parts that comply with the original appliance specification may be used for repairs. Mistakes in opening or assembling the grinder may cause injuries and/or damages and malfunctions. **If the grinder gets opened by an unauthorized person, the manufacturer's liability and warranty expire.**

valid from
2023-04-01

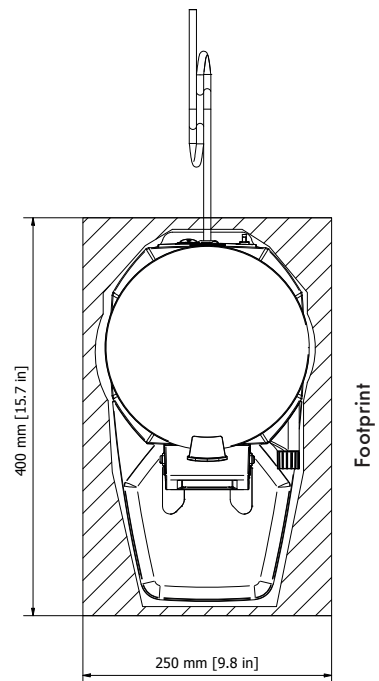
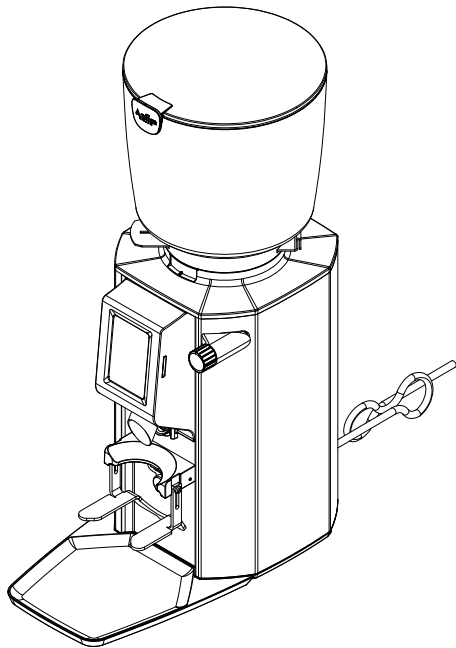
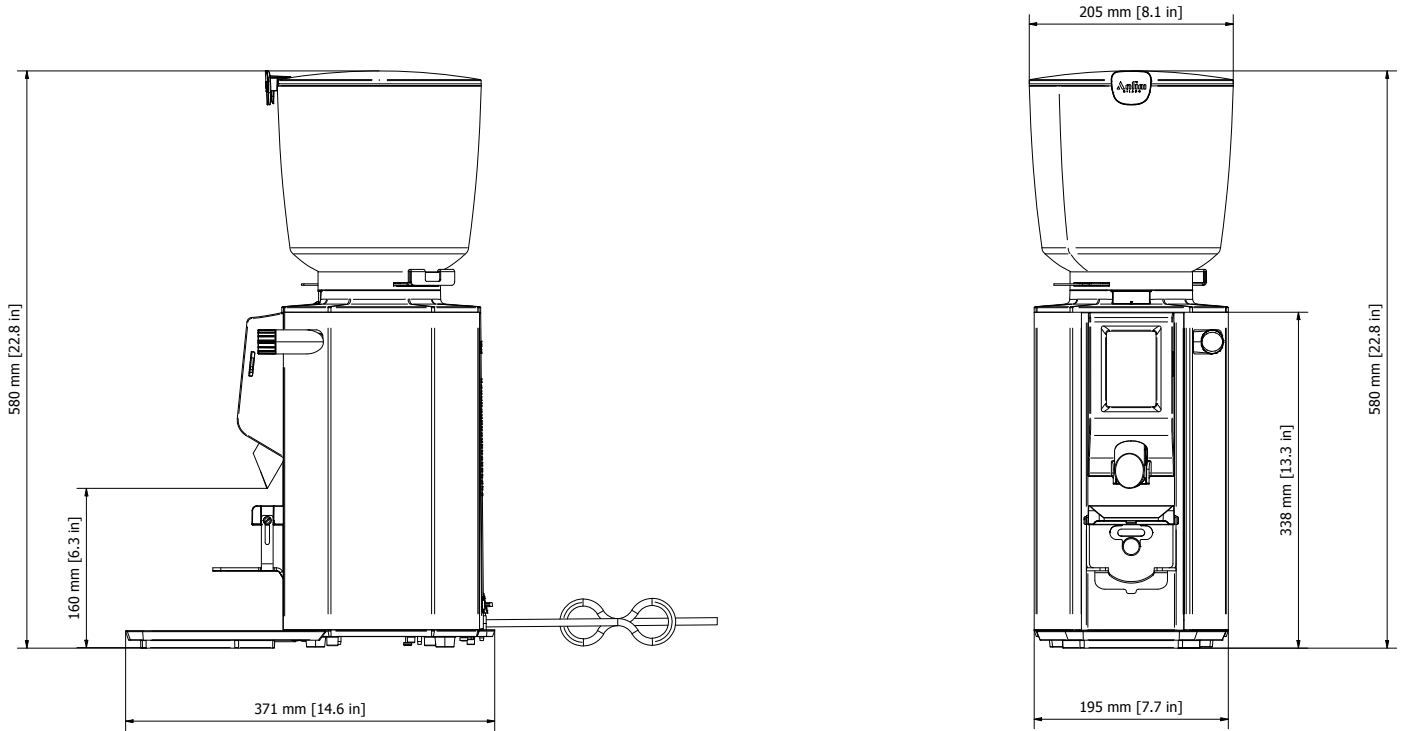
Anfim
M I L A N O

Subject to change without prior notice.

SPARE PARTS LIST

Version 1.0.0

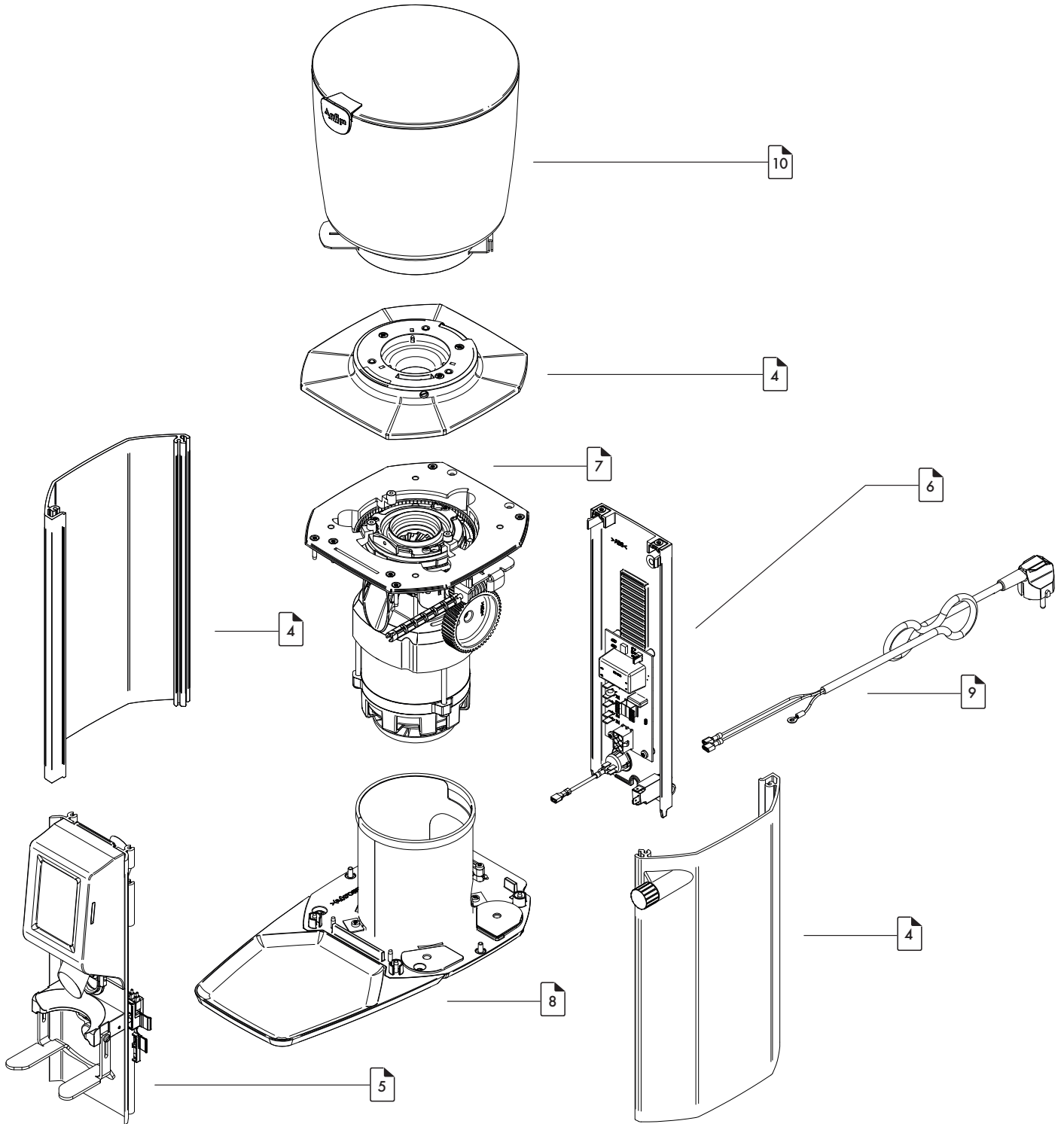
LUNA 100 V 50/60 Hz | 110-127 V 50/60 Hz | 220-240 V 50/60 Hz



SPARE PARTS LIST

Version 1.0.0

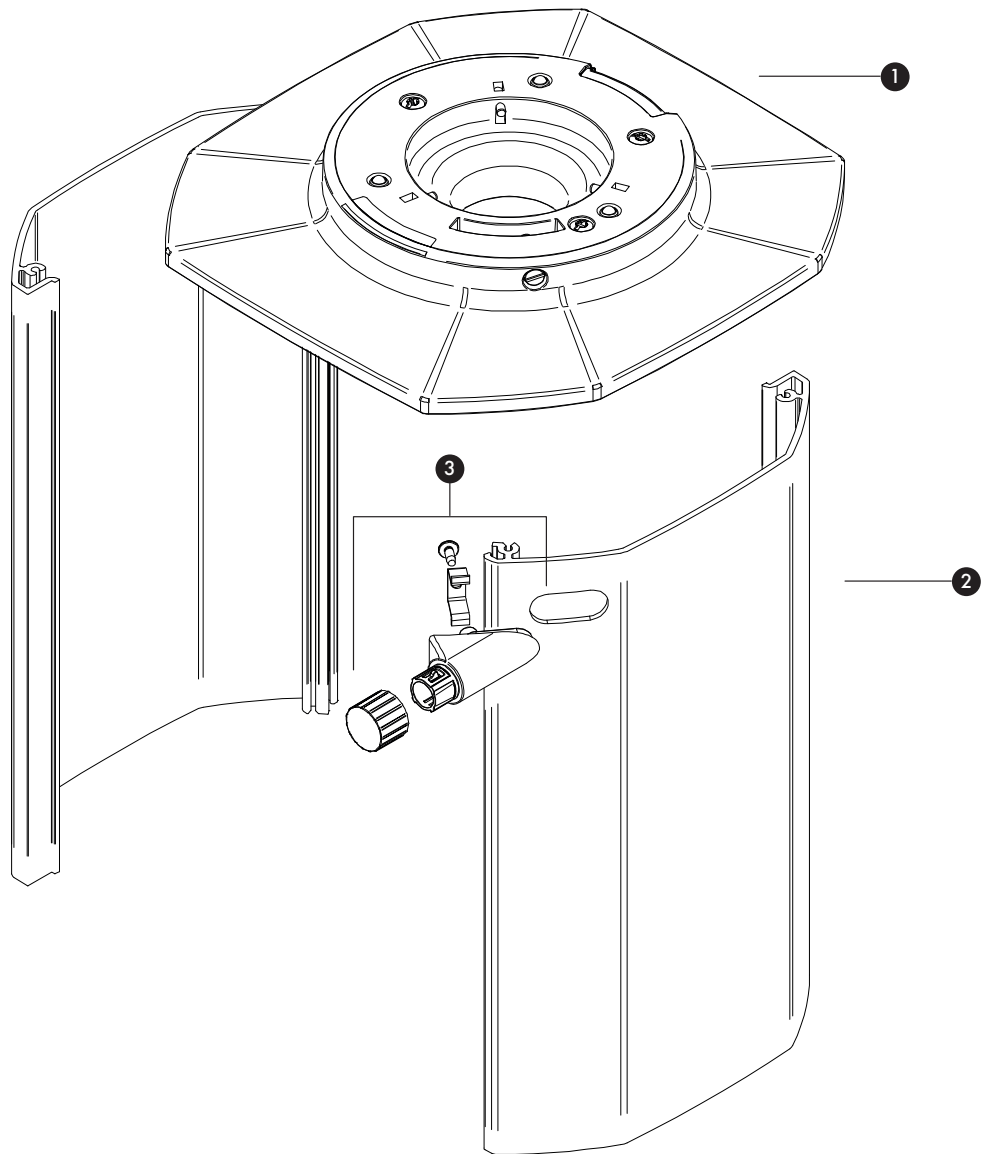
LUNA 100 V 50/60 Hz | 110-127 V 50/60 Hz | 220-240 V 50/60 Hz



SPARE PARTS LIST

Version 1.0.0

LUNA 100 V 50/60 Hz | 110-127 V 50/60 Hz | 220-240 V 50/60 Hz



MATERIAL	POS.	DESCRIPTION
705072	1	Grinder top cover
	2	Housing side panels
705064		↳ black
705063		↳ white
705069	3	Grind size adjuster

SPARE PARTS LIST

Version 1.0.0

LUNA 100 V 50/60 Hz | 110-127 V 50/60 Hz | 220-240 V 50/60 Hz

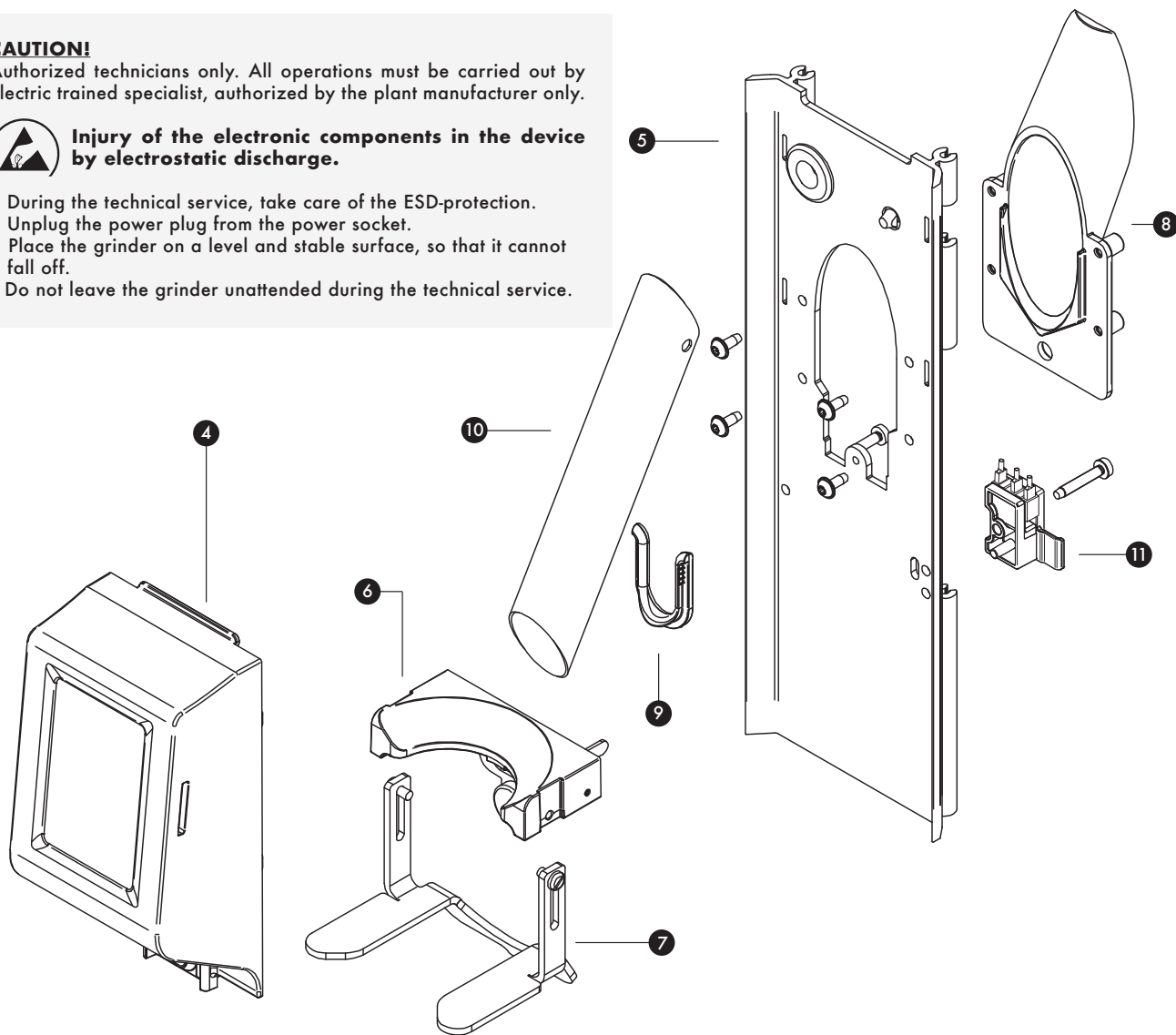
CAUTION!

Authorized technicians only. All operations must be carried out by electric trained specialist, authorized by the plant manufacturer only.



Injury of the electronic components in the device by electrostatic discharge.

- * During the technical service, take care of the ESD-protection.
- * Unplug the power plug from the power socket.
- * Place the grinder on a level and stable surface, so that it cannot fall off.
- * Do not leave the grinder unattended during the technical service.



MATERIAL	POS.	DESCRIPTION
705062	4	Display control unit
705061	5	Housing front panel black
700708	6	Portafilter support
705056	7	Portafilter holder
705059	8	Spout pipe guidance
705060	9	Spout angle adjustment lever
705058	10	Spout pipe
705057	11	On-demand switch

SPARE PARTS LIST

Version 1.0.0

LUNA 100 V 50/60 Hz | 110-127 V 50/60 Hz | 220-240 V 50/60 Hz

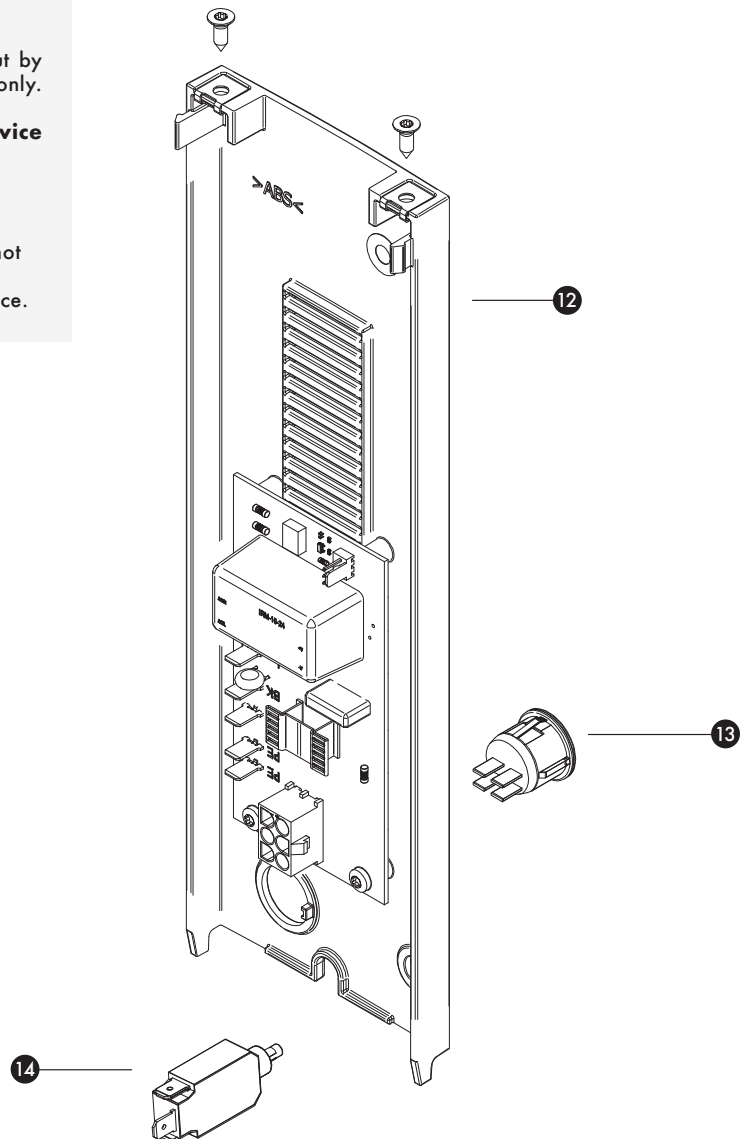
CAUTION!

Authorized technicians only. All operations must be carried out by electric trained specialist, authorized by the plant manufacturer only.



Injury of the electronic components in the device by electrostatic discharge.

- * During the technical service, take care of the ESD-protection.
- * Unplug the power plug from the power socket.
- * Place the grinder on a level and stable surface, so that it cannot fall off.
- * Do not leave the grinder unattended during the technical service.

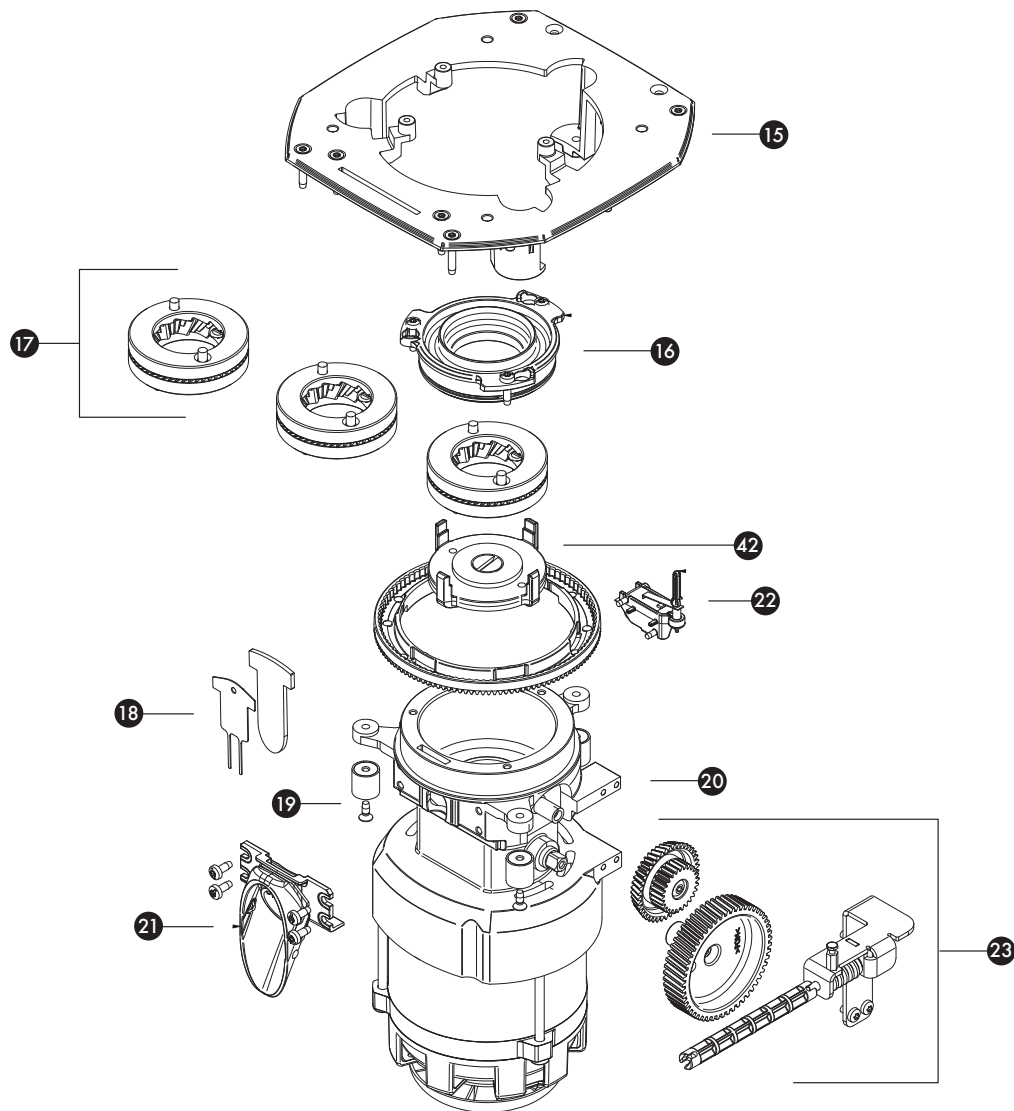


MATERIAL	POS.	DESCRIPTION
705071	12	Back panel with powerboard 100-240 V
703295	13	Power switch 100-240 V
	14	Circuit breaker
702383		↳ 110 V
308383		↳ 110-127 V
309551		↳ 220-240 V

SPARE PARTS LIST

Version 1.0.0

LUNA 100 V 50/60 Hz | 110-127 V 50/60 Hz | 220-240 V 50/60 Hz

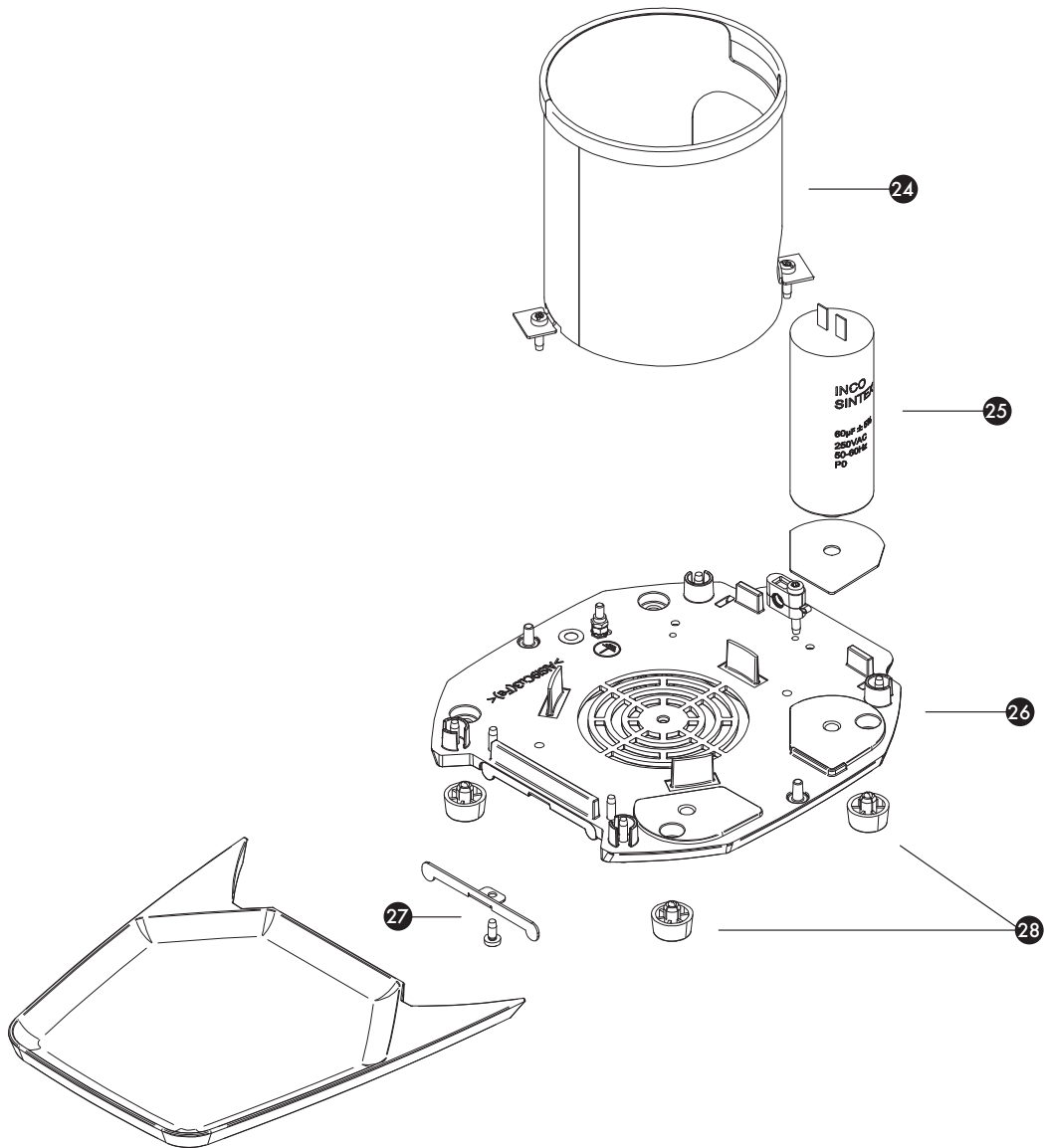


MATERIAL	POS.	DESCRIPTION
705073	15	Intermediate plate
703323	16	Fixed burr carrier
	17	Burrs 65 mm
705075		↳ Steel (standard)
700947		↳ Steel (higher grind speed)
275123		↳ Special steel (higher grind speed & lifetime)
705184	42	Rotary burr carrier
701856	18	Silicone & metal flapper
700716	19	Shock absorbers (3x)
	20	Motor drive unit
702405		↳ 100 V 50/60 Hz
702406		↳ 110-127 V 60 Hz
702407		↳ 200-240 V 50/60 Hz
700717	21	Spout
700712	22	Interlock switch
705070	23	Grind size transmission

SPARE PARTS LIST

Version 1.0.0

LUNA 100 V 50/60 Hz | 110-127 V 50/60 Hz | 220-240 V 50/60 Hz



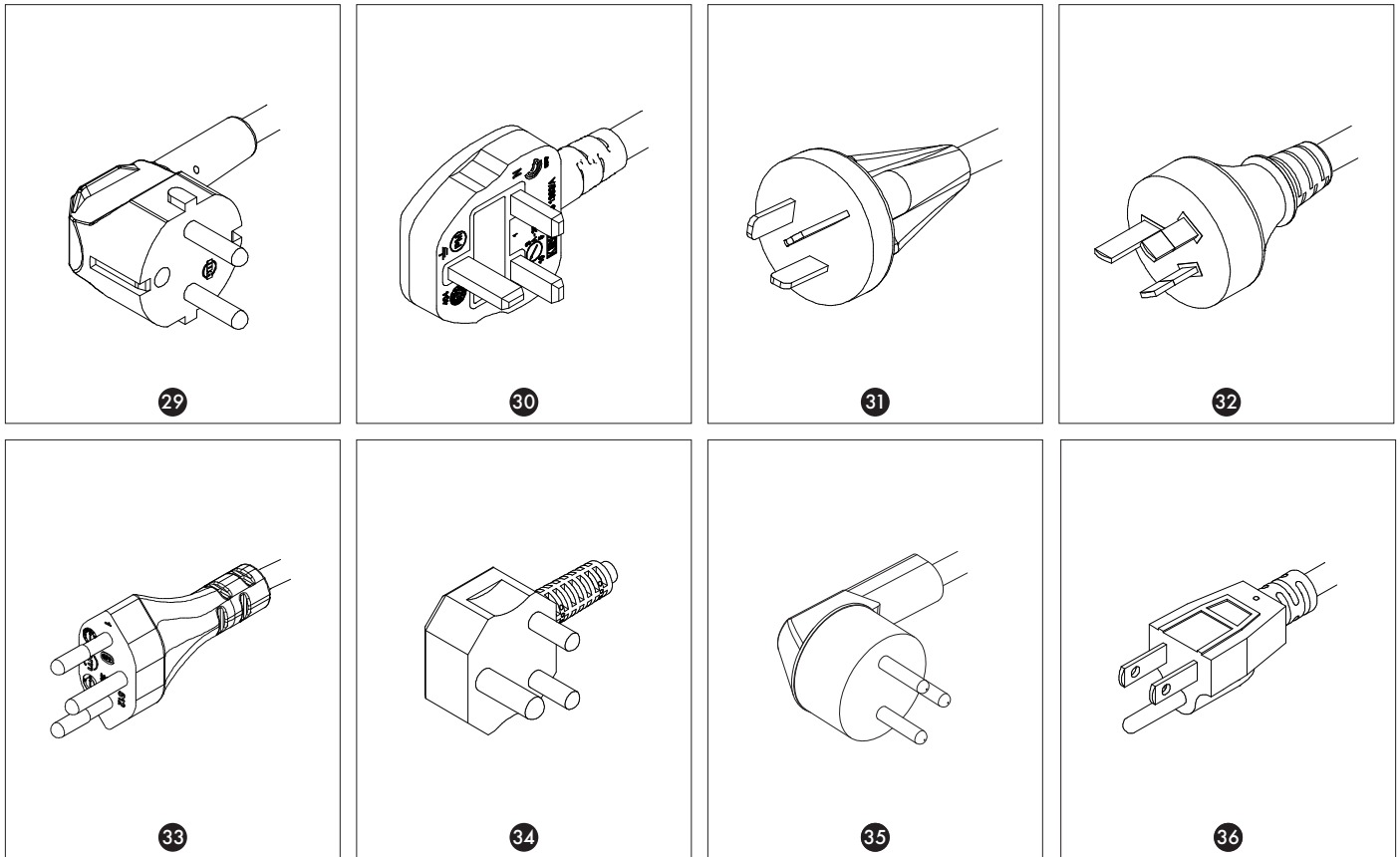
MATERIAL	POS.	DESCRIPTION
705065	24	Shock protection
	25	Capacitor
703203		↳ 100-127 V
702577		↳ 220-240 V
705067	26	Housing base plate
705068	27	Housing base plate small part set
700727	28	Grinder feet

SPARE PARTS LIST

Version 1.0.0

LUNA 100 V 50/60 Hz | 110-127 V 50/60 Hz | 220-240 V 50/60 Hz

Power cord



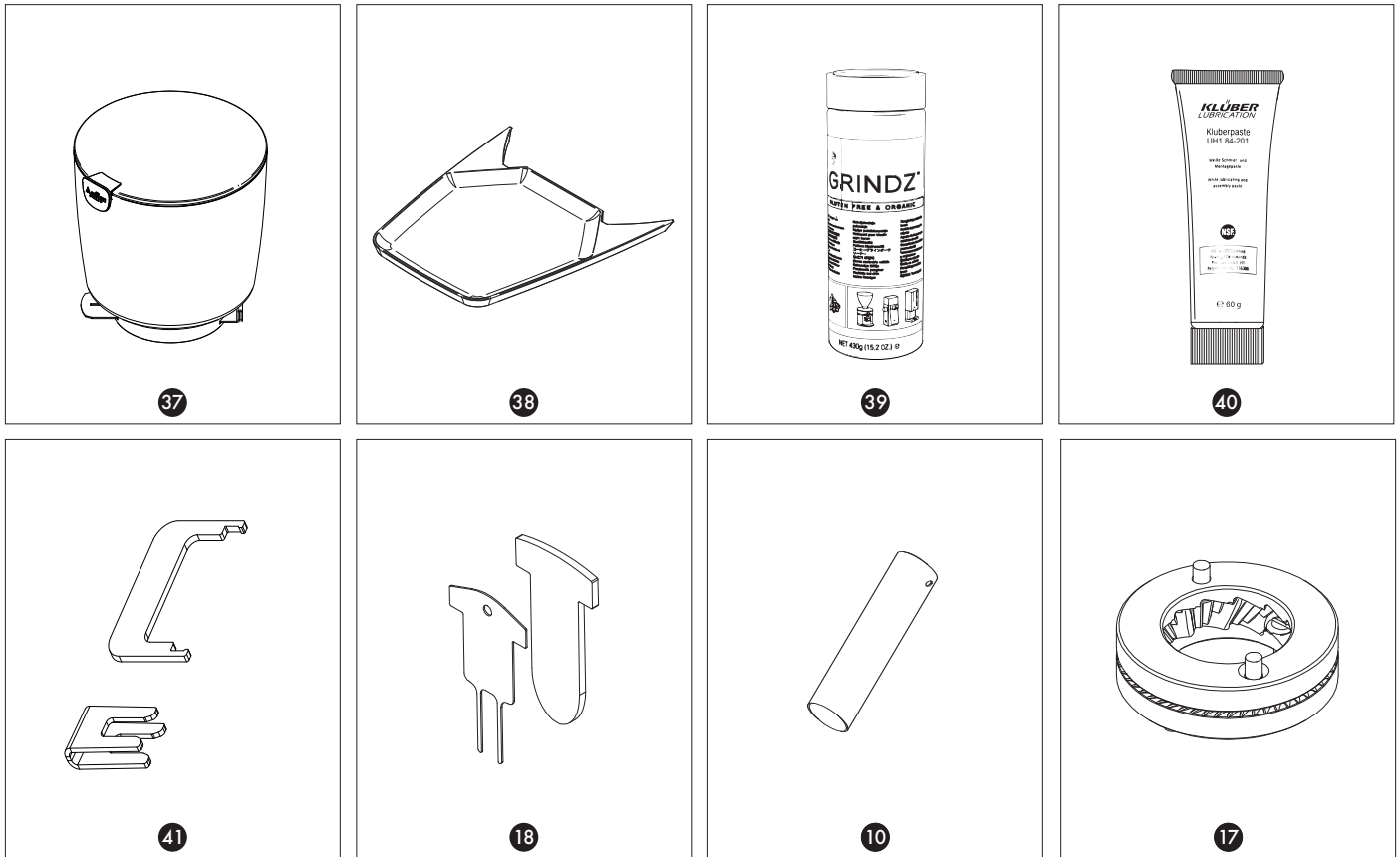
MATERIAL	POS.	DESCRIPTION
703342	29	Power cord Europe, Indonesia
703344	29	Power cord Korea
703343	29	Power cord Belarus
703346	30	Power cord Great Britain, United Arab Emirates, Hong Kong, Saudi Arabia
703350	31	Power cord China
703349	31	Power cord Argentina
703348	32	Power cord Australia
703351	33	Power cord Switzerland
703353	33	Power cord Brazil
703352	34	Power cord South Africa
703347	35	Power cord Israel
703339	36	Power cord USA, Canada, Mexico, Panama
703341	36	Power cord Japan
703340	36	Power cord Taiwan

SPARE PARTS LIST

Version 1.0.0

LUNA 100 V 50/60 Hz | 110-127 V 50/60 Hz | 220-240 V 50/60 Hz

Accessories



MATERIAL	POS.	DESCRIPTION
705055	37	Bean hopper 2.0 kg
705066	38	Drip tray
101853	39	Grinder cleaner GRINDZ
105168	40	Special grease NSF/H1 50 g
700974	41	Tool for burr removal
701856	18	Silicone & metal flapper
705058	10	Spout pipe
	17	Burrs 65 mm
705075		↳ Steel (standard)
700947		↳ Steel (higher grind speed)
275123		↳ Special steel (higher grind speed & lifetime)

H E M R O

Hemro International AG

Thurgauerstrasse 80 | 8050 Zurich, Switzerland

T: +41 44 864 18 00 | **F:** +41 44 864 18 01

info@hemrogroup.com | www.hemrogroup.com